



PEOPLE ORIENTED
INNOVATION AND DEVELOPMENT

WWW.TEEE-INDUCTORS.COM

Contents

1 -----	Company Profile
3 -----	Product introduction
4 -----	Dry Air Core Reactor Application
	Shunt reactor
5 -----	Thyristor-controlled reactor
	Current-limiting reactor
6 -----	Smoothing reactor
	Filter reactor
7 -----	Damping reactor
8 -----	Test reactor
	Line Trap
9 -----	Operating conditions
10 -----	Main parameters
11 -----	Major types of reactors
17 -----	Technical parameters

COMPANY PROFILE

TEEE specializes in the design, production, and selling of small to very large dry type air core reactors. Our products are reliable and of high-quality, covering the complete range of voltages and applications.

We place a high priority on meeting our customers' contractual requirements and expectations. You can expect superior quality, competitive pricing, excellent lead times, and an ability to meet all domestic and international standards.

Please feel free to contact us for any information about our products, pricing, and delivery. It would be our pleasure to serve you and help meet your company's needs in a timely, cost-effective manner





As you can see, we are already established (and growing further) in the development of all types of inductors/reactors. We welcome discussions, inquiries, and orders from any location worldwide.

PRODUCT INTRODUCTION

Our reactors and line traps are custom designed and manufactured to meet all IEEE/ANSI Standards, as well as any other specific standards required by our customers.

Conductors used in dry-type air core reactors and line traps are custom-designed. Size and insulation types are specifically made according customers' unique specifications – each designed to ensure maximum insulation integrity and cost effectiveness.

Our horizontal and vertical structured epoxy-impregnated fiber packaging provides superior mechanical strength, minimizing both reactor vibration and sound level.

Cable insulation is custom-designed to ensure coil strength and integrity. This not only minimizes turn-to-turn voltage stress levels, it also prevents moisture ingress and improves insulation reliability overall.

Current-carrying components are constructed of aluminum, and individual conductors are crimped and welded together. All conductor terminations are then welded to the aluminum bus bars, forming the top and bottom spider arms of the reactor.

To ensure reactor safety and longevity, all cable and materials undergo careful consideration in the manufacturing process. Our reactors are designed to operate at low temperatures, allowing for overload capacity and ensuring the longest-possible service life.

We can provide steel or fiberglass support, raising reactors above the ground. This provides proper magnetic clearance between the ground and the reactor, and it creates a safe clearance for humans at ground level.

Finally, our custom-engineered support systems are designed to reinforce the structure without significant weight increases, reducing both the overall dimensions and the number of insulators required.

DRY AIR CORE REACTOR APPLICATIONS

- Shunt reactors
- Thyristor-controlled reactors
- Current-limiting reactors
- Smoothing reactors
- Filter reactors
- Damping reactors
- Test reactors
- Line traps

1. Shunt reactor: A shunt reactor is connected in parallel to the power system. The shunt reactor compensates for capacitive VARs that exist on lightly loaded transmission lines or underground cables. This ensures that operating voltages are maintained within acceptable levels and that the system is operating efficiently.



2. Thyristor controlled reactor: A thyristor-controlled reactor [TCR] is a reactor connected in series with a bidirectional thyristor valve. The thyristor valve is phase controlled, which allows the value of delivered reactive power to be adjusted to meet varying system conditions.

3. Current-limiting reactor: A current limiting reactor is connected in series with the power system. It is designed to reduce short-circuit currents, which result from plant expansions and power source additions, to levels that can be adequately handled by existing transmission and distribution equipment.



4. Smoothing reactor: A smoothing reactor is connected in series with the DC high voltage line as either part of the converter station or back-to-back interconnection between different transmission networks. It reduces the harmonic current [ripple], limits the inrush current during fault conditions, limits the DC phase current rate of rise and improves the dynamic stability of the power system.

5. Filter reactor: A filter reactor can be connected in either parallel or series with a capacitor bank. The resulting tuned circuit which reduces the harmonic current and controls the amplitude of the ripple current.



6. Damping reactor: A damping reactor is connected in series with one or more capacitor banks. It is designed to limit the capacitor switching inrush current while also capable to withstand the rated current and fault current in the event of a short circuit.



7. Test reactor: Test reactors are installed in high-voltage and high-power laboratories. The typical applications include: current limiting, synthetic testing of circuit-breakers, inductive energy storage, and simulation circuits.

8. Line trap: Line traps are connected in series with high voltage and ultra-high voltage ac power lines. They are designed to introduce a high impedance in the carrier frequency range of 40 KHZ to 500 KHZ, with negligible impedance at the power frequency. The high impedance ensures that the carrier signals are not lost or attenuated into the substation.



OPERATING CONDITIONS

1. **Location:** Indoor or outdoor
2. **Ambient temperature:** -40°C - $+50^{\circ}\text{C}$ (according to customer's requirement)
3. **Altitude:** $< 3000\text{m}^{\circ}\text{C}$ (according to customer's requirement)
4. **Maximum wind speed:** 45m/s (according to customer's requirement)
5. **Relative humidity:** $< 90\%$
6. **Seismic capacity:** Horizontal 0.30g (according to customer's requirement)
Vertical 0.15g (according to customer's requirement)
7. Note the type of ventilation when using indoor.
8. Installation location must be clean - no harmful gas, steam, electric conductivity, or explosive dust.

NOTE: If you have special requirements, please contact TEE directly.



Smoothing Reactor

1. System voltage
2. Rated voltage
3. The highest running voltage
4. Rated reactance value
5. Rated dc current
6. The maximum dc current
7. Harmonic current
8. Type of insulation
9. Temperature class of the insulation
10. Rated loss
11. The average temperature rise
12. Hot spot temperature rise
13. Sound level
14. Location indoor and outdoor
15. Installation method and terminal bus bar orientation

Shunt Reactor

1. Rated Frequency
2. System voltage
3. Rated voltage
4. Single phase related kVAr
5. The highest continuous operating voltage
6. Rated reactance value
7. Type of insulation
8. Temperature class of the insulation
9. Rated loss
10. The average temperature rise
11. Hot spot temperature rise
12. Sound level
13. Location indoor and outdoor
14. Installation method and terminal bus bar orientation

Current-Limiting Reactor

1. Rated Frequency
2. System voltage
3. Rated current
4. Rated short time current and duration
5. Rated reactance value
6. Type of insulation
7. Temperature class of the insulation
8. Rated loss
9. The average temperature rise
10. Hot spot temperature rise
11. Sound level
12. Location indoor and outdoor
13. Installation method and terminal bus bar orientation

Filter Reactor

1. System voltage
2. Rated voltage
3. Rated Frequency
4. Rated current
5. Harmonic current
6. Rated inductance
7. Rated quality factor
8. Rated Short time current and duration
9. Type of insulation
10. Rated loss
11. The average temperature rise
12. Hot spot temperature rise
13. Sound level
14. Location indoor and outdoor
15. Installation method and terminal bus bar orientation
16. Inductance adjustable range and step length

Series Reactor

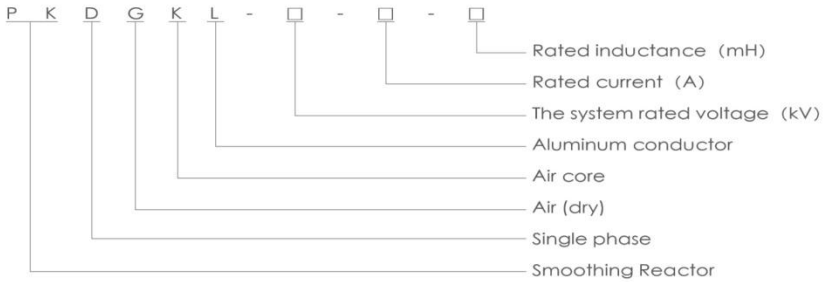
1. Rated frequency
2. System Voltage
3. Rated voltage of matched capacitor
4. Rated reactance rate
5. Single-phase rated kVAr
6. Rated current
7. Rated short-time current and duration
8. Type of Insulation
9. Rated loss
10. Average temperature rise
11. Hot spot temperature rise
12. Sound level
13. Location: indoor or outdoor
14. Installation method and terminal bus bar orientation

MAJOR TYPES OF REACTORS

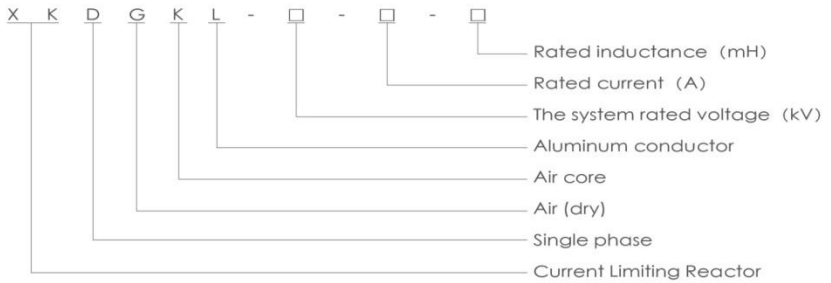
1. **Smoothing Reactor: PKDGKL** - system rated voltage - rated current - rated inductance
2. **Current Limiting Reactor: XKDGKL** - system rated voltage - rated current - rated inductance
3. **Shunt Reactor: BKDGKL** - rated kVAr / system rated voltage
4. **Filter Reactor: LKDGKL** - system rated voltage - rated current - rated inductance
5. **Series Reactor: CKDGKL** - rated kAVr / system rated voltage - reactive rate %
6. **Test Reactor: SKDGKL** - system rated voltage - working current - rated inductance
7. **Neutral Ground Reactor: JKDGKL** - system rated voltage - rated current - rated inductance

1、PK series dry air core smoothing reactor

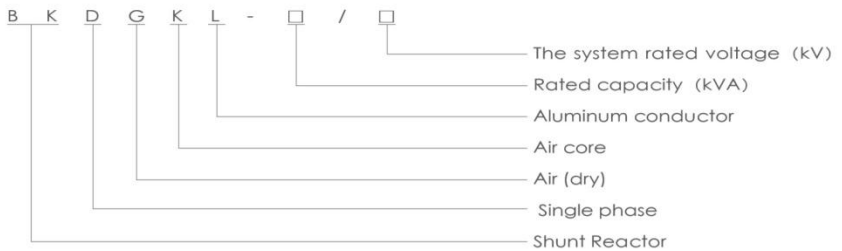
Smoothing Reactor



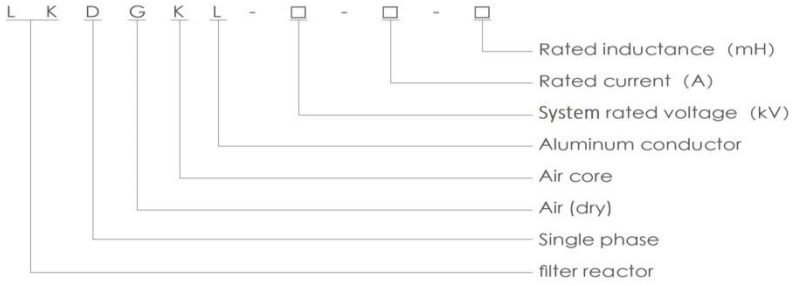
2、XK Current Limiting Reactor



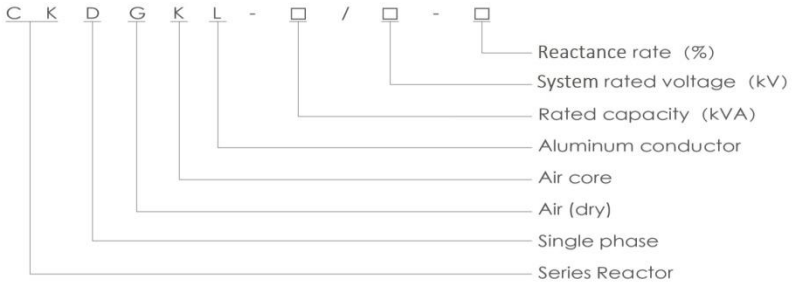
3、BK Shunt Reactor



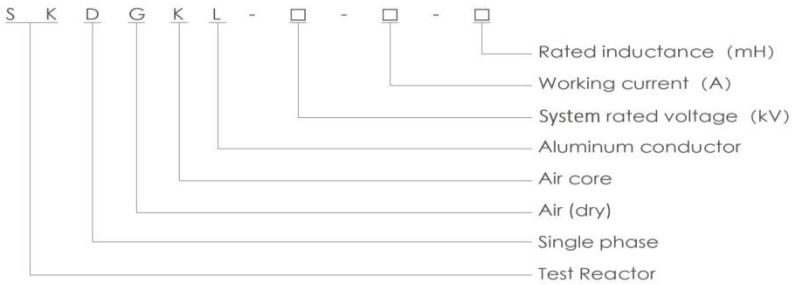
4、LK Filter Reactor



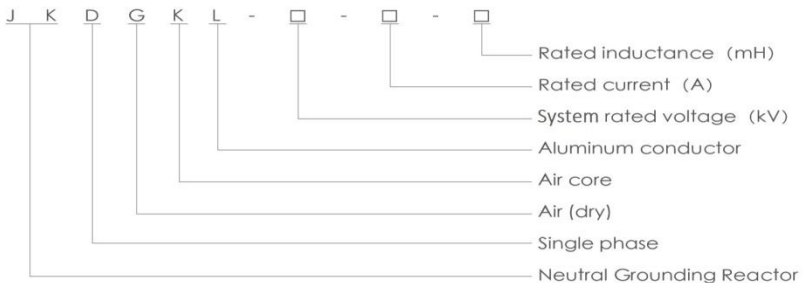
5、CK Series Reactor



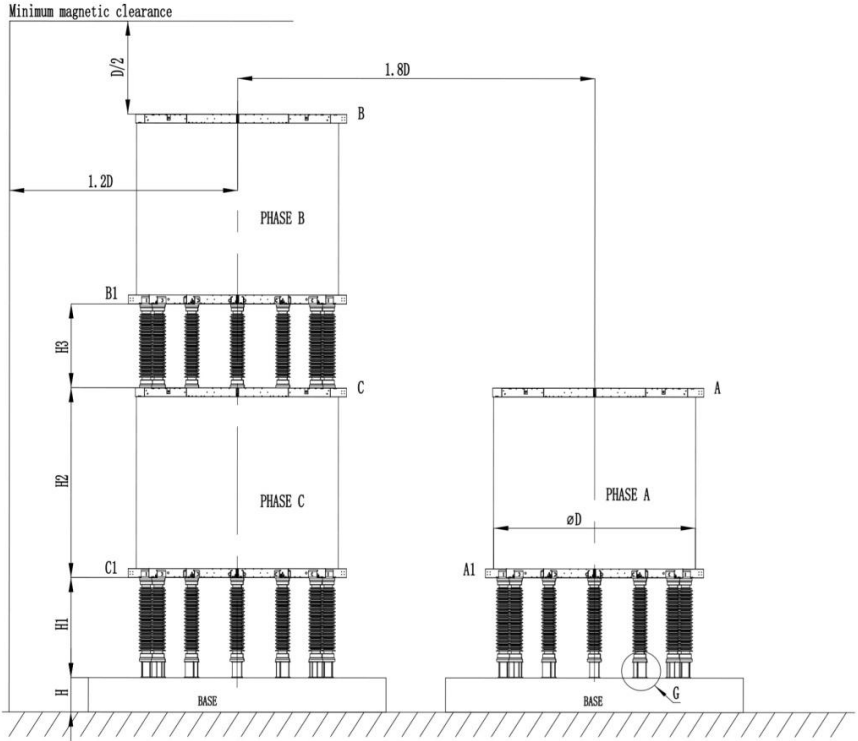
6、SK Test Reactor



7、JK Neutral Grounding Reactor

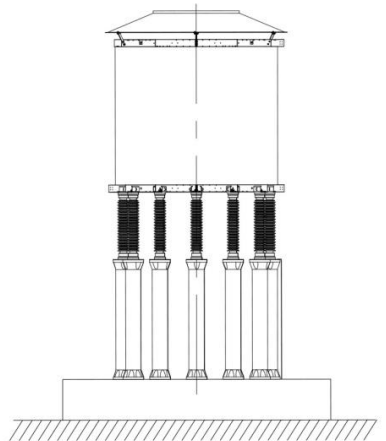
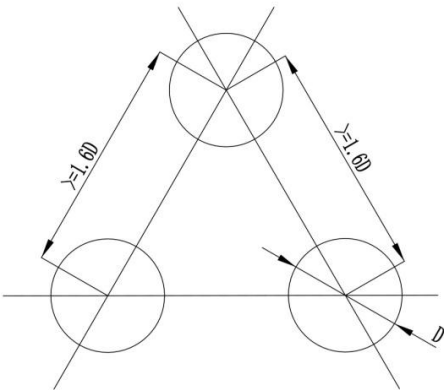


Two phases stacked and one phase on the ground

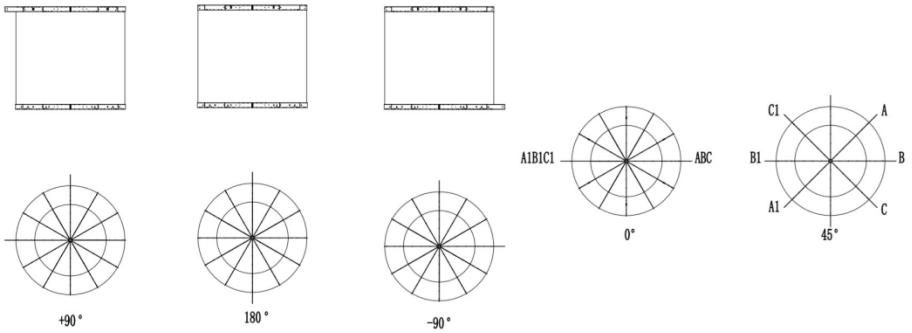


Three-phase Δ layout

Outdoor shunt reactor installation drawing

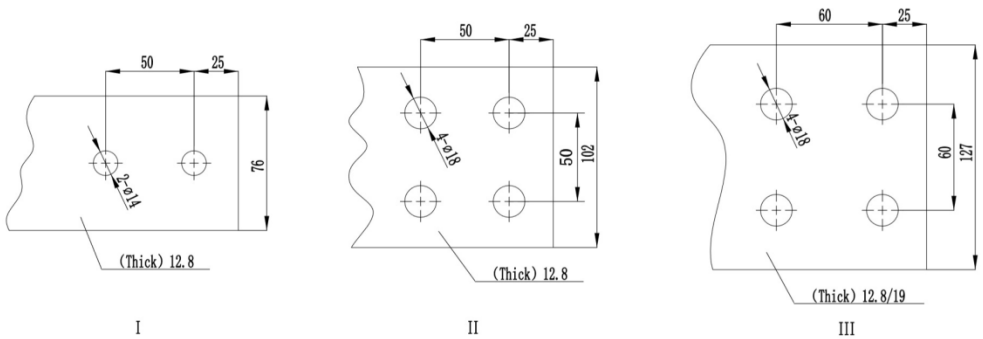


Line angle of terminals



Note: The 180° is preferable if the terminal orientation for one-phase is not specified.
 The 45° is preferable if the terminal orientation for three-phase stacked is not specified.

Terminal shape and size



Note: The material of the terminals is Aluminum.

TECHNICAL PARAMETERS

PK smoothing reactor series table

Model	Equipment rated voltage (kV)	Highest voltage for equipment (kV)	Rated inductance (mH)	Rated DC current (A)	Maximum continuous DC (A)	Total harmonic current (A)	Loss (kW)	Transient fault current (kA)	Single pole coil lightning impulse voltage (kV)	Insulator lightning impulse voltage (kV)	Outer diameter (m)	Height (m)	Weight (kg)
PKDGKL-800-5000-50	800	816	50	5000.00	5046	309	345.10	40	2100	1950	4.71	4.09	65502
PKDGKL-800-5000-75	800	816	75	5000.00	5046	309	426.47	40	2100	1950	4.71	4.19	79750
PKDGKL-800-6250-50	800	816	50	6250.00	6296	386	431.09	40	2100	1950	5.22	4.35	94092
PKDGKL-800-6250-75	800	816	75	6250.00	6296	386	534.67	40	2100	1950	5.81	4.63	122535
PKDGKL-1100-5000-50	1100	1120	50	5000.00	5046	309	348.45	40	2600	2580	5.21	4.09	76072
PKDGKL-1100-5455-75	1100	1120	75	5455.00	5523	230	390.00	40	2600	2580	5.7	4.6	105000
PKDGKL-1100-6250-50	1100	1120	50	6250.00	6296	386	435.27	40	2600	2580	5.62	4.35	94910
PKDGKL-1100-6250-75	1100	1120	75	6250.00	6296	386	539.86	40	2600	2580	5.81	4.63	123601

XK High Voltage Current Limiting Reactor series table

Model	System rated voltage (kV)	Equipment rated voltage (kV)	highest voltage for equipment (kV)	Rated inductance (mH)	Rated reactance (Ω)	Rated current (A)	Power Rating (kVar)	Loss (kW)	Short circuit current / duration (kA/s)	Coil lightning impulse voltage (kV)	Insulator lightning impulse voltage (kV)	Outer diameter (m)	Height (m)	Weight (kg)
XKDGKL-500-3600-33.43	500	500	550	33.43	10.50	3600	136090	307.42	40/4	1550	1550	3.77	4.34	28434
XKDGKL-500-4000-33.43	500	500	550	33.43	10.50	4000	168012	346.41	40/4	1550	1550	3.95	4.30	32062
XKDGKL-500-2400-38.2	500	500	550	33.43	12.00	2400	69116	186.15	40/4	1550	1550	3.41	4.31	19611
XKDGKL-500-3000-38.2	500	500	550	38.20	12.00	3000	107994	266.07	40/4	1550	1550	3.69	4.30	24623
XKDGKL-500-3600-38.2	500	500	550	38.20	12.00	3600	155511	322.52	40/4	1550	1550	3.94	4.30	30590
XKDGKL-500-4000-3.82	500	500	550	38.20	12.00	4000	191989	365.66	40/4	1550	1550	4.12	4.31	34639
XKDGKL-500-2400-44.56	500	500	550	44.56	14.00	2400	80634	202.55	40/4	1550	1550	3.62	4.31	21232
XKDGKL-500-2800-44.56	500	500	550	44.56	14.00	2800	109752	239.95	40/4	1550	1550	7.76	4.34	25905
XKDGKL-500-3000-44.56	500	500	550	44.56	14.00	3000	125990	287.70	40/4	1550	1550	3.90	4.33	26984
XKDGKL-500-3600-44.56	500	500	550	44.56	14.00	3600	181426	343.49	40/4	1550	1550	4.16	4.30	34359
XKDGKL-500-4000-44.56	500	500	550	44.56	14.00	4000	223983	394.94	40/4	1550	1550	4.31	4.34	37926
XKDGKL-500-2400-57.3	500	500	550	57.30	18.00	2400	103688	223.06	40/4	1550	1550	3.96	4.32	27721
XKDGKL-500-3000-57.3	500	500	550	57.30	18.00	3000	162012	318.93	40/4	1550	1550	4.32	4.34	31688
XKDGKL-500-3600-57.3	500	500	550	57.30	18.00	3600	233297	390.68	40/4	1550	1550	4.58	4.34	39188
XKDGKL-500-4000-57.3	500	500	550	57.30	18.00	4000	288021	444.09	40/4	1550	1550	4.74	4.34	44030
XKDGKL-500-2400-66.85	500	500	550	66.85	21.00	2400	120969	240.12	40/4	1550	1550	4.27	4.33	28203
XKDGKL-500-3000-66.85	500	500	550	66.85	21.00	3000	189014	335.88	40/4	1550	1550	4.54	4.34	35169

XK Current Limiting Reactor series table

Model	System rated voltage (kV)	Equipment rated voltage (kV)	Highest voltage (kV)	Rated inductance (mH)	Rated reactance (Ω)	Rated current (A)	Power Rating (kVA)	Loss (kW)	Short circuit current / duration (kA/s)	Coil lightning impulse voltage (kV)	Insulator lightning impulse voltage (kV)	Outer diameter (m)	Height (m)	Weight (kg)
XKDGKL-10-2000-0.73	10.0	10.5	12.0	0.73	0.23	2000	920	10.28	50/4	95	95	1.73	0.65	806
XKDGKL-10-2500-0.59	10.0	10.5	12.0	0.59	0.18	2500	1155	11.87	75/4	95	95	1.93	0.59	966
XKDGKL-10-2000-0.92	10.0	10.5	12.0	0.92	0.29	2000	1155	11.58	62.5/4	95	95	1.69	0.73	928
XKDGKL-10-3000-0.49	10.0	10.5	12.0	0.49	0.15	3000	1380	14.10	75/4	95	95	1.94	0.68	1041
XKDGKL-10-2500-0.73	10.0	10.5	12.0	0.73	0.23	2500	1439	13.47	75/4	95	95	2.03	0.63	1117
XKDGKL-10-3000-0.61	10.0	10.5	12.0	0.61	0.19	3000	1733	15.38	75/4	95	95	2.11	0.68	1221
XKDGKL-10-4000-0.37	10.0	10.5	12.0	0.37	0.12	4000	1850	17.04	75/4	95	95	1.92	0.74	1285
XKDGKL-10-3000-0.74	10.0	10.5	12.0	0.74	0.23	3000	2081	18.20	75/4	95	95	2.22	0.70	1305
XKDGKL-10-4000-0.46	10.0	10.5	12.0	0.46	0.14	4000	2307	19.49	75/4	95	95	2.00	0.76	1441
XKDGKL-10-4000-0.55	10.0	10.5	12.0	0.55	0.17	4000	2770	22.19	75/4	95	95	2.06	0.78	1543
XKDGKL-10-3000-1.02	10.0	10.5	12.0	1.02	0.32	3000	2881	19.95	75/4	95	95	2.37	0.70	1669
XKDGKL-35-2000-0.32	10.0	35.0	40.5	0.32	0.10	2000	400	5.82	75/4	200	200	1.17	0.84	584
XKDGKL-35-1500-2.14	10.0	35.0	40.5	2.14	0.67	1500	1516	13.02	75/4	200	200	1.97	0.93	1241

BK Shunt Reactor series table

Model	System rated voltage (kV)	Equipment rated voltage (kV)	Max voltage (kV)	Rated inductance (mH)	Rated reactance (Ω)	Rated current (A)	Power Rating (kVA)	Loss (kW)	Coil lightning impulse voltage (kV)	Insulator lightning impulse voltage (kV)	Outer diameter (m)	Height (m)	Weight (kg)
BKDGKL-5000/35	35.0	35.0	40.5	260.00	81.68	247.40	4999	21.00	200	200	3.22	2.27	4618
BKDGKL-10000/35	35.0	35.0	40.5	129.87	40.80	494.90	9993	33.19	200	200	3.10	2.22	6203
BKDGKL-15000/35	35.00	35.	38.0	77.03	24.20	787.30	15000	49.80	200	200	3.11	2.69	8029
BKDGKL-20000/35	35.0	35.0	38.0	65.00	20.42	990.00	20014	51.45	200	200	3.31	2.47	9514
BKDGKL-21000/35	35.0	35.0	38.0	65.00	20.42	1004.00	20584	54.75	200	200	3.24	2.74	11326
BKDGKL-15000/66	66.0	66.0	72.5	280.75	88.20	412.40	15001	45.18	325	325	3.08	3.47	9067
BKDGKL-20000/66	66.0	66.0	72.5	231.00	72.57	525.00	20002	57.89	325	325	2.70	3.47	11662
BKDGKL-30000/66	66.0	66.0	72.5	140.38	44.10	825.00	30016	76.76	325	325	3.30	3.38	12082
BKDGKL-40000/66	66.0	66.0	72.5	105.30	33.08	1100.00	40028	86.97	325	325	3.51	3.39	16880
BKDGKL-40000/110	110.0	110.0	126.0	73.00	22.93	1320.00	39960	82.62	650	650	3.39	3.22	18989

CK Series Reactor series table

Model	System rated voltage (kV)	Equipment rated voltage (kV)	Max voltage (kV)	Rated inductance (mH)	Rated current (A)	Power Rating (kVAr)	Loss (kW)	Short circuit current/duration (kA/s)	Coil lightning impulse voltage (kV)	Insulator lightning impulse voltage (kV)	Outer diameter (m)	Height (m)	weight (kg)
CKDGKL-10/6-5	6	6	6.6	11.55	52.49	10	0.353	1.05/4	60	60	0.72	0.72	152.40
CKDGKL-17/6-5	6	6	6.6	6.93	87.48	17	0.598	1.75/4	60	60	0.77	0.56	134.11
CKDGKL-20/6-5	6	6	6.6	5.78	104.97	20	0.705	2.1/4	60	60	0.77	0.54	132.88
CKDGKL-24/6-5	6	6	6.6	33	48.11	24	0.849	0.96/4	60	60	1.15	0.82	201.50
CKDGKL-33/6-5	6	6	6.6	3.47	174.95	33	1.183	3.5/4	60	60	0.82	0.46	129.46
CKDGKL-40/6-5	6	6	6.6	19.8	80.19	40	1.418	1.6/4	60	60	1.14	0.63	169.26
CKDGKL-40/6-5	6	6	6.6	2.89	209.95	40	1.440	4.2/4	60	60	0.82	0.44	125.58
CKDGKL-48/6-5	6	6	6.6	16.5	96.23	48	1.597	1.92/4	60	60	1.14	0.62	175.28
CKDGKL-50/6-5	6	6	6.6	2.31	262.43	50	1.438	5.25/4	60	60	0.86	0.43	156.00
CKDGKL-60/6-5	6	6	6.6	1.93	314.92	60	1.506	6.3/4	60	60	0.88	0.45	184.91
CKDGKL-67/6-5	6	6	6.6	1.73	349.91	67	1.867	7/4	60	60	0.92	0.38	172.41
CKDGKL-70/6-5	6	6	6.6	1.65	367.4	70	2.012	7.35/4	60	60	0.92	0.37	174.10
CKDGKL-80/6-12	6	6	6.6	1.44	419.89	80	2.078	3.5/4	60	60	1.01	0.35	202.70
CKDGKL-80/6-12	6	6	6.6	9.9	160.38	80	1.960	1.34/4	60	60	1.08	0.57	220.77
CKDGKL-84/6-12	6	6	6.6	1.39	437.39	84	2.099	3.64/4	60	60	1.02	0.35	210.94
CKDGKL-95/6-12	6	6	6.6	8.25	192.45	96	2.414	1.6/4	60	60	1.12	0.53	219.42
CKDGKL-100/6-12	6	6	6.6	1.16	524.86	100	2.369	4.37/4	60	60	1.07	0.34	244.84
CKDGKL-120/6-12	6	6	6.6	6.6	240.56	120	2.364	2/4	60	60	1.10	0.53	274.45
CKDGKL-144/6-12	6	6	6.6	5.5	288.68	144	2.4453	2.41/4	60	60	1.12	0.55	324.68
CKDGKL-160/6-12	6	6	6.6	4.95	320.75	160	2.877	2.67/4	60	60	1.28	0.45	313.79
CKDGKL-168/6-12	6	6	6.6	4.71	336.79	168	2.894	2.81/4	60	60	1.28	0.46	330.19
CKDGKL-192/6-12	6	6	6.6	4.13	384.9	192	3.418	3.21/4	60	60	1.29	0.45	328.80
CKDGKL-200/6-12	6	6	6.6	3.96	400.94	200	3.387	3.34/4	60	60	1.25	0.47	344.84
CKDGKL-250/6-12	6	6	6.6	3.3	481.13	240	3.918	4.01/4	60	60	1.40	0.42	378.17
CKDGKL-10/10-5	10	10	11	32.1	31.49	10	0.354	0.63/4	95	95	0.85	0.99	202.65
CKDGKL-17/10-5	10	10	11	19.26	52.49	17	0.593	1.05/4	95	95	0.85	0.76	176.09
CKDGKL-20/10-5	10	10	11	16.05	62.98	20	0.708	1.26/4	95	95	0.85	0.73	169.51
CKDGKL-24/10-5	10	10	11	91.67	28.87	24	0.849	0.58/4	95	95	1.15	1.64	268.69
CKDGKL-25/10-5	10	10	11	12.84	78.73	25	0.880	1.57/4	95	95	0.84	0.68	161.46

Model

Model	System rated voltage (kV)	Equipment rated voltage (kV)	Max voltage (kV)	Rated inductance (mH)	Rated current (A)	Power Rating (kVA)	Loss (kW)	Short circuit current/duration (kA/s)	Coil lightning impulse voltage (kV)	Insulator lightning impulse voltage (kV)	Outer diameter (m)	Height (m)	weight (kg)
CKDGKL-30/10-5	10	10	11	10.7	94.48	30	1.063	1.89/4	95	95	0.84	0.64	154.36
CKDGKL-33/10-5	10	10	11	9.63	104.97	33	1.176	2.1/4	95	95	0.84	0.63	151.92
CKDGKL-40/10-5	10	10	11	8.02	125.97	40	1.414	2.52/4	95	95	0.85	0.59	146.02
CKDGKL-40/10-5	10	10	11	55	48.11	40	1.419	0.96/4	95	95	1.15	0.79	219.04
CKDGKL-48/10-5	10	10	11	45.84	57.74	48	1.701	1.15/8	95	95	1.15	0.75	209.22
CKDGKL-50/10-5	10	10	11	6.42	157.46	50	1.575	3.15/4	95	95	0.85	0.60	160.92
CKDGKL-60/10-5	10	10	44	36.67	72.17	60	2.063	1.44/4	95	95	1.15	0.71	205.85
CKDGKL-60/10-5	10	10	11	5.35	188.95	60	2.016	3.78/4	95	95	0.90	0.46	151.25
CKDGKL-67/10-5	10	10	11	4.81	209.95	67	2.053	4.2/4	95	95	0.91	0.47	163.31
CKDGKL-70/10-5	10	10	11	4.59	220.44	70	2.078	4.41/4	95	95	0.92	0.47	168.38
CKDGKL-72/10-5	10	10	11	30.56	86.6	72	2.541	1.73/4	95	95	1.25	0.62	193.15
CKDGKL-80/10-5	10	10	11	4.01	251.93	80	2.167	5.04/4	95	95	0.98	0.46	187.08
CKDGKL-80/10-5	10	10	11	27.5	96.23	80	2.560	1.92/4	95	95	1.24	0.64	209.93
CKDGKL-83/10-5	10	10	11	3.85	262.43	83	2.192	5.25/4	95	95	0.98	0.46	193.95
CKDGKL-96/10-12	10	10	11	22.92	115.47	96	2.612	0.96/4	95	95	1.20	0.68	239.56
CKDGKL-100/10-12	10	10	11	3.21	314.92	100	2.295	2.62/4	95	95	1.03	0.46	225.10
CKDGKL-117/10-12	10	10	11	2.75	367.1	117	2.483	3.06/4	95	95	0.96	0.47	243.00
CKDGKL-120/10-12	10	10	11	2.67	377.9	120	2.503	3.15/4	95	95	0.96	0.47	248.72
CKDGKL-120/10-12	10	10	11	18.33	144.34	120	2.717	1.2/4	95	95	1.21	0.71	283.22
CKDGKL-133/10-12	10	10	11	2.41	419.89	133	2.740	3.5/4	95	95	0.98	0.46	264.73
CKDGKL-144/10-12	10	10	11	15.28	173.21	144	3.110	1.44/4	95	95	1.24	0.61	287.57
CKDGKL-150/10-12	10	10	11	2.14	472.38	150	3.002	3.94/4	95	95	0.98	0.45	282.33
CKDGKL-160/10-12	10	10	11	13.75	192.45	160	3.214	1.6/4	95	95	1.29	0.60	310.16
CKDGKL-167/10-12	10	10	11	1.93	524.86	167	3.250	.37/4	95	95	1.00	0.45	309.36
CKDGKL-168/10-12	10	10	11	13.1	202.07	168	3.240	1.68/4	95	95	1.29	0.60	322.38
CKDGKL-192/10-12	10	10	11	11.46	230.94	192	3.611	1.92/4	95	95	1.30	0.55	328.54
CKDGKL-200/10-12	10	10	11	11	240.56	200	3.648	2/4	95	95	1.30	0.56	340.29
CKDGKL-240/10-12	10	10	11	9.17	288.68	240	4.081	2.41/4	95	95	1.34	0.52	365.63
CKDGKL-280/10-12	10	10	11	7.86	336.79	280	4.548	2.81/4	95	95	1.40	0.48	395.11

Model

Model	System rated voltage (kV)	Equipment rated voltage (kV)	Max voltage (kV)	Rated inductance (mH)	Rated current (A)	Power Rating (kVAr)	Loss (kW)	Short circuit current/duration (kA/s)	Coil lightning impulse voltage (kV)	Insulator lightning impulse voltage (kV)	Outer diameter (m)	Height (m)	Weight (kg)
CKDGKL-288/10-12	10	10	11	7.64	346.41	288	4.569	2.89/4	95	95	1.39	0.49	405.09
CKDGKL-320/10-12	10	10	11	6.88	384.9	320	4.676	3.21/4	95	95	1.40	0.50	443.34
CKDGKL-360/10-12	10	10	11	6.11	433.01	36	5.166	3.61/4	95	95	1.49	0.46	649.63
CKDGKL-400/10-12	10	10	11	5.5	481.13	400	5.301	4.01/4	95	95	1.50	0.47	513.52
CKDGKL-17/35-5	35	35	38	231.09	15.15	17	0.582	0.3/4	200	200	1.19	1.53	353.18
CKDGKL-33/35-5	35	35	38	115.55	30.3	33	1.171	0.61/4	200	200	1.15	0.98	253.16
CKDGKL-40/35-5	35	35	38	660.05	13.89	40	1.405	0.28/4	200	200	1.30	2.79	630.13
CKDGKL-50/35-5	35	35	38	77.03	45.45	50	1.772	0.91/4	200	200	1.08	0.89	239.87
CKDGKL-67/35-5	35	35	38	57.77	60.61	67	2.356	1.21/4	200	200	1.02	0.85	237.34
CKDGKL-79/35-5	35	35	38	48.14	72.23	79	2.831	1.44/4	200	200	0.97	0.84	227.55
CKDGKL-80/35-5	35	35	38	330.02	27.78	80	2.801	0.56/4	200	200	1.29	1.61	394.89
CKDGKL-83/35-5	35	35	38	46.22	75.76	83	2.902	1.52/4	200	200	0.93	0.89	232.06
CKDGKL-100/35-5	35	35	38	38.52	90.91	100	3.108	1.82/4	200	200	0.93	0.89	249.30
CKDGKL-120/35-5	35	35	38	32.1	109.09	120	3.212	2.18/4	200	200	0.94	0.92	282.19
CKDGKL-120/35-5	35	35	38	220.02	41.67	120	3.396	0.83/4	200	200	1.30	1.42	441.43
CKDGKL-140/35-5	35	35	38	27.51	127.27	140	3.531	2.55/4	200	200	0.94	0.84	290.13
CKDGKL-160/35-5	35	35	38	24.07	145.45	160	3.616	2.91/4	200	200	0.95	0.85	318.57
CKDGKL-160/35-5	35	35	38	165.01	55.56	160	4.523	1.11/4	200	200	1.30	1.26	400.32
CKDGKL-167/35-5	35	35	38	23.11	151.52	167	3.850	3.03/4	200	200	0.89	0.85	316.03
CKDGKL-192.35-5	35	35	38	137.51	66.67	192	4.856	1.33/4	200	200	1.29	1.27	429.34
CKDGKL-200/35-5	35	35	38	132.01	69.44	200	4.923	1.39/4	200	200	1.29	1.27	436.55
CKDGKL-200/35-5	35	35	38	19.26	181.82	200	4.237	3.64/4	200	200	0.87	0.85	351.61
CKDGKL-240/35-5	35	35	38	110.01	83.33	240	5.797	1.67/4	200	200	1.29	0.95	407.12
CKDGKL-240/35-5	35	35	38	16.05	218.18	240	4.529	4.36/4	200	200	0.89	0.84	398.83
CKDGKL-250/35-5	35	35	38	15.41	227.27	250	4.649	4.55/4	200	200	0.88	0.84	402.03
CKDGKL-288/35-12	35	35	38	91.67	100	288	5.912	0.83/4	200	200	1.30	0.99	460.31
CKDGKL-300/35-12	35	35	38	12.84	272.73	300	5.724	2.27/4	200	200	1.23	0.85	437.32
CKDGKL-333/35-12	35	35	38	11.55	303.03	333	5.778	2.53/4	200	200	1.27	0.85	475.84
CKDGKL-336/35-12	35	35	38	78.58	116.67	336	6.090	0.97/4	200	200	1.30	1.01	507.23

Model

Model	System rated voltage (kV)	Equipment rated voltage (kV)	Max voltage (kV)	Rated inductance (mH)	Rated current (A)	Power Rating (kVAr)	Loss (kW)	Short circuit current/duration (kA/s)	Coil lightning impulse voltage (kV)	Insulator lightning impulse voltage (kV)	Outer diameter (m)	Height (m)	weight (kg)
CKDGKL-384/35-12	35	35	38	68.75	133.33	384	6.585	1.11/4	200	200	1.30	0.91	523.05
CKDGKL-400/35-12	35	35	38	66	138.89	400	6.624	1.16/4	200	200	1.30	0.94	538.44
CKDGKL-400/35-12	35	35	38	9.63	363.64	400	6.042	3.03/4	200	200	1.30	0.85	533.61
CKDGKL-417/35-12	35	35	38	9.24	378.79	417	6.368	3.16/4	200	200	1.24	0.84	535.85
CKDGKL-480/35-12	35	35	38	55	166.67	480	6.877	1.39/4	200	200	1.4	0.91	606.07
CKDGKL-500/35-12	35	35	38	7.7	454.55	500	7.790	3.79/4	200	200	1.45	0.85	592.53
CKDGKL-576/35-12	35	35	38	45.84	200	576	9.479	1.67/4	200	200	1.40	1.23	703.39
CKDGKL-600/35-12	35	35	38	44	208.33	600	9.472	1.74/4	200	200	1.40	1.25	730.23
CKDGKL-667/35-12	35	35	38	5.78	606.06	667	9.155	5.05/4	200	200	1.50	0.96	721.35
CKDGKL-720/35-12	35	35	38	36.67	250	720	10.202	2.08/4	200	200	1.40	1.18	792.34
CKDGKL-800/35-12	35	35	38	33	277.78	800	10.435	2.31/4	200	200	1.40	1.21	848.62
CKDGKL-960/35-12	35	35	38	27.5	333.33	960	11.264	2.78/4	200	200	1.40	1.16	918.70
CKDGKL-1000/35-12	35	35	38	3.85	909.09	1000	11.431	7.58/4	200	200	1.69	0.92	865.43
CKDGKL-1000/35-12	35	35	38	26.4	347.22	1000	11.265	2.89/4	200	200	1.4	1.18	956.17
CKDGKL-1200/35-12	35	35	38	22	416.67	1200	12.304	3.47/4	200	200	1.60	0.98	992.43
CKDGKL-1600/35-12	35	35	38	16.5	555.56	1600	12.906	4.63/4	200	200	1.60	1.06	1274.53
CKDGKL-2400/35-12	35	35	38	11	833.33	2400	153950	6.94/4	200	200	2.01	0.83	1550.79
CKDGKL-167/66-5	66	66	72.6	84.22	79.37	167	4.307	1.59/4	325	325	1.40	1.45	487.15
CKDGKL-300/66-5	66	66	72.6	46.79	142.86	300	7.818	2.86/4	325	325	1.40	1.83	625.60
CKDGKL-333/66-5	66	66	72.6	42.11	158.73	333	7.196	3.17/4	325	325	1.21	1.30	555.94
CKDGKL-400/66-5	66	66	72.6	242.48	72.46	400	7.934	1.45/4	325	325	1.37	1.35	651.21
CKDGKL-500/66-5	66	66	72.6	28.07	238.1	500	8.114	4.76/4	325	325	1.22	1.23	675.83
CKDGKL-667/66-5	66	66	72.6	21.06	317.46	667	8.997	6.35/4	325	325	1.20	1.23	798.26
CKDGKL-720/66-12	66	66	72.6	134.71	130.43	720	12.329	1.09/4	325	325	1.60	1.96	999.14
CKDGKL-800/66-12	66	66	72.6	121.24	144.93	800	10.290	1.21/4	325	325	1.33	1.23	884.65
CKDGKL-1000/66-12	66	66	72.6	14.04	476.19	1000	11.358	3.97/4	325	325	1.44	1.27	1025.58
CKDGKL-1200/66-12	66	66	72.6	80.83	217.39	1200	12.024	1.81/4	325	325	1.32	1.23	1111.35
CKDGKL1600/66-15-	66	66	72.6	60.62	289.86	1600	13.457	2.42/4	325	325	1.29	1.25	1160.80
CKDGKL-2400/66-12	66	66	72.6	40.41	434.78	2400	17.618	3.62/4	325	325	1.79	1.27	1404.72





TRANSMISSION
ELECTRICAL
ENERGY
EQUIPMENT

25 S. GROVE AVE
ELGIN, IL 60120
(847) 532-0193

WWW.TEEE-INDUCTORS.COM